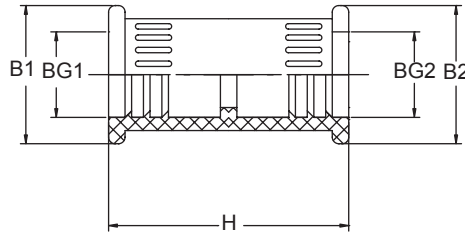
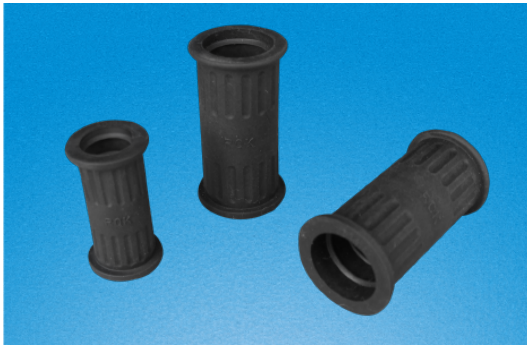


## RCCN 日成BGK型软管接头 Plastic K-Distributor



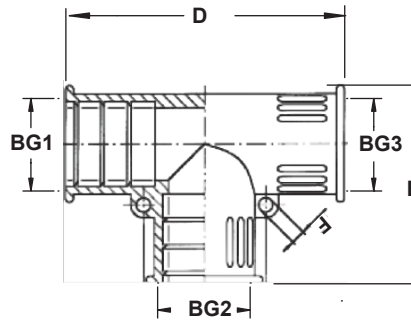
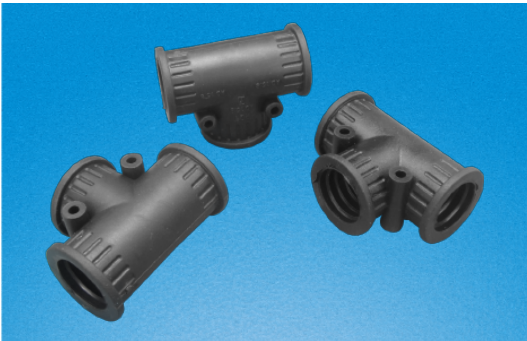
产品材质: 采用橡胶制成  
颜色种类: 黑色  
工作温度: -20°C至85°C

Material: Rubber  
Color: Black  
Work Temperature: -20°C to 85°C

单位/Unit:mm

型号 Item No.	对应软管 Conduit item no BG1×BG2	适配软管 Outer dia. BG1	适配软管 Outer dia. BG3	外径 Outer dia. B1	外径 Outer dia. B2	长度 Length H	包装 Packing pcs
BGK 2×10.0	10.0×10.0	BG-07	BG-07	17.5	17.5	33.5	10
BGK 2×13.0	13.0×13.0	BG-10	BG-10	20.0	20.0	36.5	10
BGK 2×15.8	15.8×15.8	BG-12	BG-12	23.0	23.0	44.5	10
BGK 2×18.5	18.5×18.5	BG-15	BG-15	26.5	26.5	48.0	10
BGK 2×21.2	21.2×21.2	BG-17	BG-17	29.5	29.5	48.0	10
BGK 2×28.5	28.5×28.5	BG-23	BG-23	36.5	36.5	48.0	10
BGK 2×34.5	34.5×34.5	BG-29	BG-29	42.5	42.5	48.0	10
BGK 2×42.5	42.5×42.5	BG-36	BG-36	51.0	51.0	60.0	10
BGK 2×54.5	54.5×54.5	BG-48	BG-48	63.0	63.0	70.0	10

## RCCN 日成BGT型三通软管接头 Plastic T-Distributor



产品材质: 采用橡胶原料制成,  
颜色种类: 黑色  
工作温度: -20°C至85°C

Material: Rubber  
Color: Black  
Work Temperature: -20°C to 85°C

单位/Unit:mm

型号 Item No.	对应软管 Conduit item no BG1×BG2/BG2	适配软管 Outer dia. BG2	适配软管 Outer dia. BG3	适配软管 Outer dia. BG1	固定孔 Fix hole F	长度 Length D	宽度 Width E
BGT3×10.0B	3×10.0	BG-07	BG-07	BG-07	4	46.5	32.5
BGT3×13.0B	3×13.0	BG-10	BG-10	BG-10	4	54.5	36.5
BGT3×15.8B	3×15.8	BG-12	BG-12	BG-12	4	68.0	46.0
BGT3×18.5B	3×18.5	BG-15	BG-15	BG-15	4	81.0	54.5
BGT3×21.2B	3×21.2	BG-17	BG-17	BG-17	4	82.5	62.5
BGT3×28.5B	3×28.5	BG-23	BG-23	BG-23	4	81.0	54.5
BGT3×34.5B	3×34.5	BG-29	BG-29	BG-29	4	82.5	62.5
BGT3×42.5B	3×42.5	BG-36	BG-36	BG-36	4	82.5	62.5
BGT2×15.8/21.2B	2×15.8/21.2	BG-12	BG-12	BG-17	4	75.0	52.0
BGT2×21.2/28.5B	2×21.2/28.5	BG-17	BG-17	BG-23	4	68.0	60.5
BGT2×28.5/34.5B	2×28.5/34.5	BG-23	BG-23	BG-29	4	86.0	77.0
BGT2×34.5/42.5B	2×34.5/42.5	BG-29	BG-29	BG-36	4	98.5	89.0