

## RCCN 日成RFN圆形尼龙绝缘端子 Nylon Insulated Ring Terminals

说明：本系列配套工具 YTT-1可定制特殊颜色，有起订量要求。1000PCS  
Use note: installed by tool YTT-1 Special color can be produced with MOQ.



尼龙绝缘护套 紫铜表面镀锡 DIN 46237

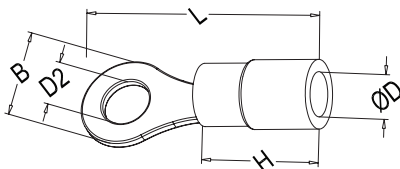
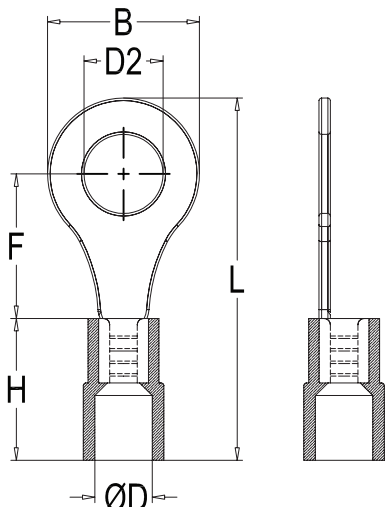
**特点：**

无卤产品，耐热温度达 105 °C。  
有了易进式绝缘头，加工更简单。  
压接区域内的硬焊接。

内部是槽形轮廓

**优势：**

优质材料可确保电气连接的可靠性。  
即使在更高的温度下，也可维持导电性。  
发生火灾时，不会释放毒气。  
易进式绝缘护套使导线插入更简单。  
压接区域的槽形轮廓使其具有高抗张强度，  
可以承受更高的永久性机械应变  
Futures:Halogen free,temperature upto 105 °C,  
with easy insert insulator,easy to process,hard  
connecting inside and groove construction.  
Advantage:high quality material insure reliable  
in electric connecting,conduct under higher  
temperature,without poison when fired,  
with easy insert insulator,easy to process.  
hard connecting inside and groove  
construction,with high te



型号 Item No.	尺寸DIMENSION							颜色 color
	AWG/mm <sup>2</sup> 最大电流 包装	螺栓口直径 Dia. of bolt D2	B mm	L mm	F mm	H mm	Dφ mm	
RF1.25-3N		3.2mm	5.7	17.8	4.95			红 Red
RFS1.25-3.5N		3.7mm	5.7	17.8	4.95			
RFM1.25-3.5N		3.7mm	6.6	20.1	6.3			
RFL1.25-3.5N		3.7mm	8.0	21.5	7.0			
RFS1.25-4N	22-16	4.3mm	6.6	20.1	6.3	10.0	4.0	
RFL1.25-4N	0.5-1.5	4.3mm	8.0	21.5	7.0			
RF1.25-5N	19A	5.3mm	8.0	21.5	7.0			
RFL1.25-5N	1000PCS	5.3mm	9.8	23.0	8.5			
RFS1.25-6N		6.5mm	9.8	23.0	8.5			
RF1.25-6N		6.5mm	11.6	27.5	11.1			
RF1.25-8N		8.4mm	11.6	27.5	11.1			
RF1.25-10N		10.5mm	13.6	31.6	13.9			
RF1.25-12N		13.0mm	19.2	36.0	16.5			
RF2-3N		3.2mm	6.6	17.8	4.3			
RFS2-3.5N		3.7mm	6.6	17.8	4.3			
RFM2-3.5N		3.7mm	6.6	21.0	7.0			
RFL2-3.5N		3.7mm	8.5	22.5	7.75			
RFS2-4N	16-14	4.3mm	6.6	19.5	6.5	10.0	4.5	
RFL2-4N	1.5-2.5	4.3mm	8.5	22.5	7.75			
RFS2-5N	27A	5.3mm	8.5	22.5	7.75			
RFL2-5N		5.3mm	9.5	22.5	7.25			
RF2-6N	1000PCS	6.5mm	12.0	27.6	11.0			
RF2-8N		8.4mm	12.0	27.6	11.0			
RF2-10N		10.5mm	14	31	13.9			
RF2-12N		13.0mm	19.2	36.5	16.5			
RF3.5-4N		4.3mm	8.0	24.5	7.7			黑 Black
RFS3.5-5N		5.3mm	8.0	24.5	7.7			
RFL3.5-5N	14-12	5.3mm	12.0	27.9	7.7	13.5	6.4	
RF3.5-6N	2.5-4	6.5mm	12.0	27.9	7.7			
RF3.5-8N	37A	8.4mm	15.0	32.0	13.5			
RF3.5-10N	500PCS	10.5mm	15.0	32.0	13.5			黄 yellow
RF5.5-3.5N		3.7mm	7.2	21.4	5.9			
RFS5.5-4N		4.3mm	7.2	21.4	5.9			
RFL5.5-4N	12-10	4.3mm	9.5	26.5	8.3			
RF5.5-5N		5.3mm	9.5	26.5	8.3			
RF5.5-6N	4-6	6.5mm	12.0	31	13.0	13.5	6.4	
RF5.5-8N	48A	8.4mm	15.0	33.7	13.7			
RF5.5-10N	500PCS	10.5mm	15.0	33.7	13.7			
RF5.5-12N		13.0mm	19.2	38.1	16.0			
RF8-3N	8	3.7mm	10.0	30.0	-			红 Red
RF8-4N	6-10	4.3mm	10.0	30.0	-			
RF8-5N		5.3mm	10.0	30.0	-			
RF8-6N	62A	6.4mm	11.0	31.5	-	17.5	6.4	
RF8-8N	100PCS	8.4mm	14.0	36.0	-			
RF8-10N		10.5mm	18.0	39.5	-			
RF8-12N		12.5mm	18.0	39.5	-			