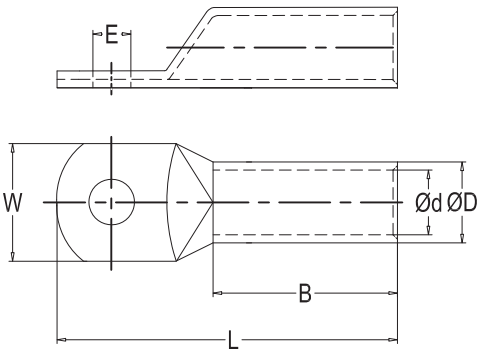


# RCCN 日成CL-H铜管端子 CL-H Copper Tube Terminals



型号 Item No.	尺寸 DIMENSION					
	E	D $\phi$	d $\phi$	W	B	L
CL14-6	6.4	8.8	5.8	18.3	28.5	50.0
CL22-8	8.4	11.3	7.7	18.3	28.5	52.0
CL38-10	10.5	12.4	9.8	18.3	34.0	64.0
CL38-12	13.0	12.4	9.8	18.3	34.0	64.0
CL60-10	10.5	14.0	11.0	20.5	36.0	70.0
CL60-12	13.0	14.0	11.0	20.5	36.0	70.0
CL70-10	10.5	15.0	12.0	21.4	38.0	72.0
CL70-12	13.0	15.0	12.0	21.4	38.0	72.0
CL80-12	13.0	16.0	13.0	23.2	38.0	75.0
CL100-12	13.0	18.0	14.0	26.0	40.0	75.0
CL125-12	13.0	20.0	16.0	28.0	40.0	85.0
CL150-12	13.0	22.0	17.0	31.5	46.0	94.0
CL180-12	13.0	23.0	18.2	33.0	46.0	98.0
CL200-12	13.0	26.0	20.0	37.0	48.0	104.0
CL250-12	13.0	28.0	22.0	41.0	48.0	114.0
CL325-12	13.0	32.0	25.0	46.0	50.0	118.0
CL400-12	13.0	37.0	30.0	54.0	60.0	130.0
CL500-12	13.0	40.0	31.0	57.5	60.0	150.0
B-CL14-6	6.4	8.3	5.8	18.3	28.5	50.0
B-CL22-8	8.4	10.7	7.7	18.3	28.5	52.0
B-CL38-10	10.5	11.9	9.8	17.2	34.0	64.0
B-CL38-12	13.0	11.9	9.8	17.2	34.0	64.0
B-CL60-10	10.5	13.5	11.0	20.0	36.0	70.0
B-CL60-12	13.0	13.5	11.0	20.0	36.0	70.0
B-CL70-10	10.5	14.5	12.0	21.4	38.0	72.0
B-CL70-12	13.0	14.5	12.0	21.4	38.0	72.0
B-CL80-12	13.0	15.5	13.0	23.2	38.0	75.0
B-CL100-12	13.0	17.3	14.0	25.5	40.0	75.0
B-CL125-12	13.0	19.3	16.0	28.0	40.0	85.0
B-CL150-12	13.0	21.1	17.0	30.5	46.0	94.0
B-CL180-12	13.0	22.1	18.2	32.5	46.0	98.0
B-CL200-12	13.0	24.9	20.0	36.0	48.0	104.0
B-CL250-12	13.0	26.9	22.0	39.5	48.0	114.0
B-CL325-12	13.0	30.7	25.0	45.0	50.0	118.0
B-CL400-12	13.0	35.7	30.0	54.0	60.0	130.0
B-CL500-12	13.0	38.4	31.0	56.0	60.0	150.0