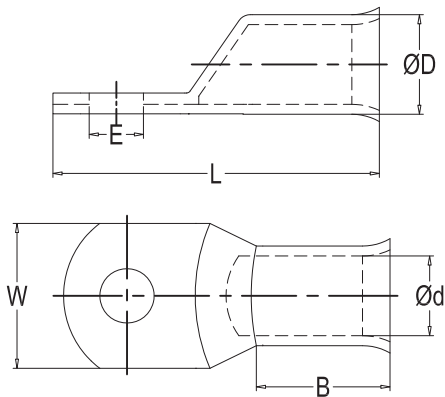


RCCN 日成AWG美规铜管端子 AWG Copper Ture Terminals



型号 Item No.	尺寸 DIMENSION					
	E	D φ	d φ	W	B	L
AWG8-10(5.1)	5.1	7.1	4.8	11.8	13.0	33.3
AWG8-1/4(6.8)	6.8	7.1	4.8	11.8	13.0	33.3
AWG8-5/16(8.3)	8.3	7.1	4.8	11.8	13.0	33.3
AWG8-3/8(10.4)	10.4	7.1	4.8	14.5	13.0	33.3
AWG8-1/2(13.1)	13.1	7.1	4.8	17	13.0	33.3
AWG6-10(5.1)	5.1	8.1	5.9	11.8	15.0	37.3
AWG6-1/4(6.8)	6.8	8.1	5.9	13.7	15.0	37.3
AWG6-5/16(8.3)	8.3	8.1	5.9	13.7	15.0	37.3
AWG6-3/8(10.4)	10.4	8.1	5.9	13.7	15.0	37.3
AWG6-1/2(13.1)	13.1	8.1	5.9	17	14.0	37.3
AWG4-1/4(6.8)	6.8	9.5	7.3	13.8	15.5	38.9
AWG4-5/16(8.3)	8.3	9.5	7.3	13.8	15.5	38.9
AWG4-3/8(10.4)	10.4	9.5	7.3	14.5	15.5	38.9
AWG4-1/2(13.1)	13.1	9.5	7.3	17	15.0	38.9
AWG2-1/4(6.8)	6.8	11.1	8.5	16.5	16.0	41.1
AWG2-5/16(8.3)	8.3	11.1	8.5	16.5	16.0	41.1
AWG2-3/8(10.4)	10.4	11.1	8.5	16.5	16.0	41.1
AWG2-1/2(13.1)	13.1	11.1	8.5	17	15.3	41.1
AWG1-1/4(6.8)	6.8	11.7	9.1	16.4	16.0	43.6
AWG1-5/16(8.3)	8.3	11.7	9.1	16.4	16.0	43.6
AWG1-3/8(10.4)	10.4	11.7	9.1	17.1	16.0	43.6
AWG1-1/2(13.1)	13.1	11.7	9.1	19.1	16.0	43.6
AWG1/0-1/4(6.8)	6.8	13	10.4	18.4	19.0	46.8
AWG1/0-5/16(8.3)	8.3	13	10.4	18.4	19.0	46.8
AWG1/0-3/8(10.4)	10.4	13	10.4	18.4	19.0	46.8
AWG1/0-1/2(13.1)	13.1	13	10.4	21	19.0	46.8
AWG2/0-1/4(6.8)	6.8	14.2	11.7	21	22.0	52.4
AWG2/0-5/16(8.3)	8.3	14.2	11.7	21	22.0	52.4
AWG2/0-3/8(10.4)	10.4	14.2	11.7	21	22.0	52.4
AWG2/0-1/2(13.1)	13.1	14.2	11.7	21	21.0	52.4
AWG3/0-5/16(8.3)	8.3	15.7	13	23.1	22.5	55.9
AWG3/0-3/8(10.4)	10.4	15.7	13	23.1	22.5	55.9
AWG3/0-1/2(13.1)	13.1	15.7	13	23.1	22.5	55.9
AWG4/0-5/16(8.3)	8.3	17.2	14.2	25.8	24.0	60.5
AWG4/0-3/8(10.4)	10.4	17.2	14.2	25.8	24.0	60.5
AWG4/0-1/2(13.1)	13.1	17.2	14.2	25.8	24.0	60.5

