



Low-voltage harness

New energy automotive wiring harness



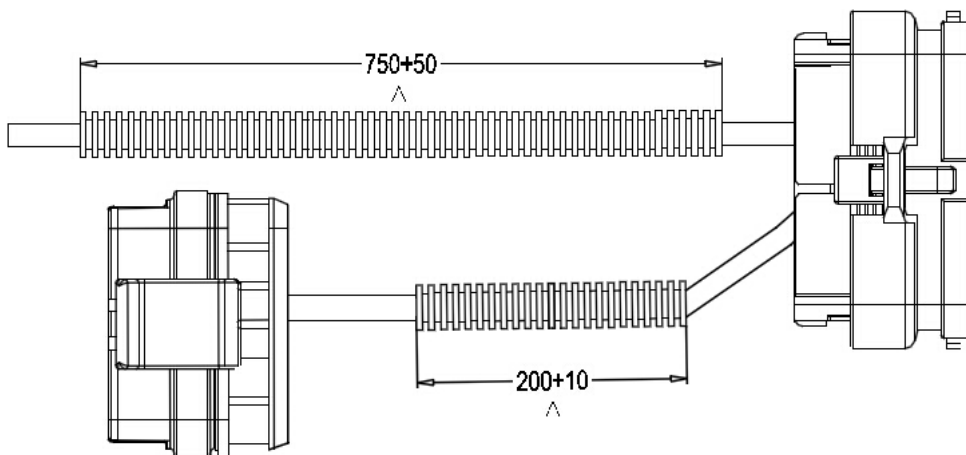
1. Terminal crimp firmly without error, open circuit, short circuit, conduction rate of 100%, the terminal crimp, wire connector corresponding to QCn29009, QCn29010;
2. Automotive chip connector technical conditions in line with QC / T 417.1 - 417.5;
3. The basic deviation of the wire conforms to the relevant regulations of QC / T 29106;
4. The remaining performance in line with QC / T 29106 automotive low-voltage wiring harness technical conditions.



Wiring harness harness processing automotive wiring harness low voltage wiring harness



Specification



Product Show

