



## Female terminal housing DTM06-12SA

### Female terminal housing DTM06-12SA

Connector type: female terminal housing

Connector system: line to line

Main locking features: Enclosure integration

Strain elimination: No

Electrical characteristics: Nominal voltage architecture (V) -12, 24, 42, 48, 80, 90, 125, 240, operating voltage (VDC) -250

Main features: black, cable outlet angle of 180°, the main material PA GF

Contact Features: Docking male end width 1 mm

Temperature range: -55 - 125 °C

Protection class: IP68

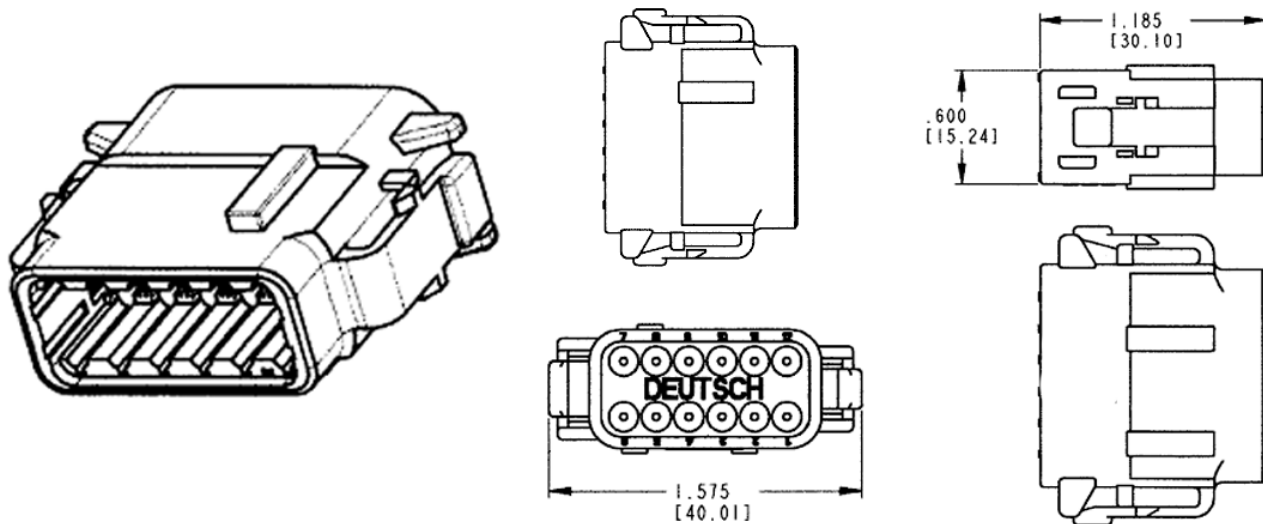
Uses: for cars, trucks, buses and off-highway vehicles in the shell

Packing: 600pcs

Connector    harness connector    female terminal housing



## Specification



## Product Show

