



## Female terminal housing 282088-1

### Female terminal housing 282088-1

Connector type: female terminal housing

Connector system: line to board, line to line, line to device

Main locking features: Enclosure integration

Strain elimination: No

Electrical characteristics: Nominal voltage architecture (V) -12, 24, operating voltage (VDC) -24

Main features: black, cable outlet angle of 180°, the main material PA GF

Contact Features: Docking male end width 1.5 mm

Temperature range: -40 - 125 °C

Protection class: IP67

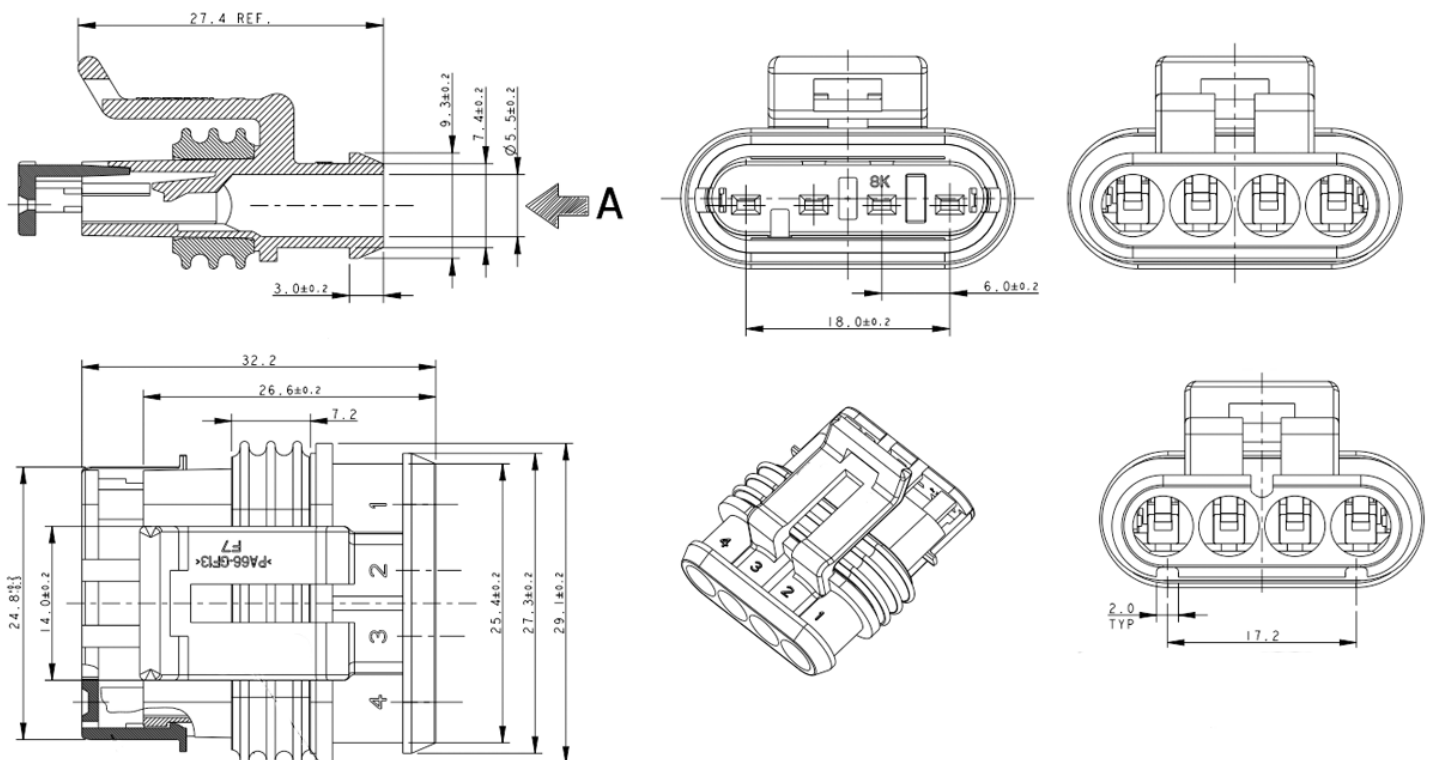
Uses: for cars, trucks, buses and off-highway vehicles in the shell

Packing: 500pcs



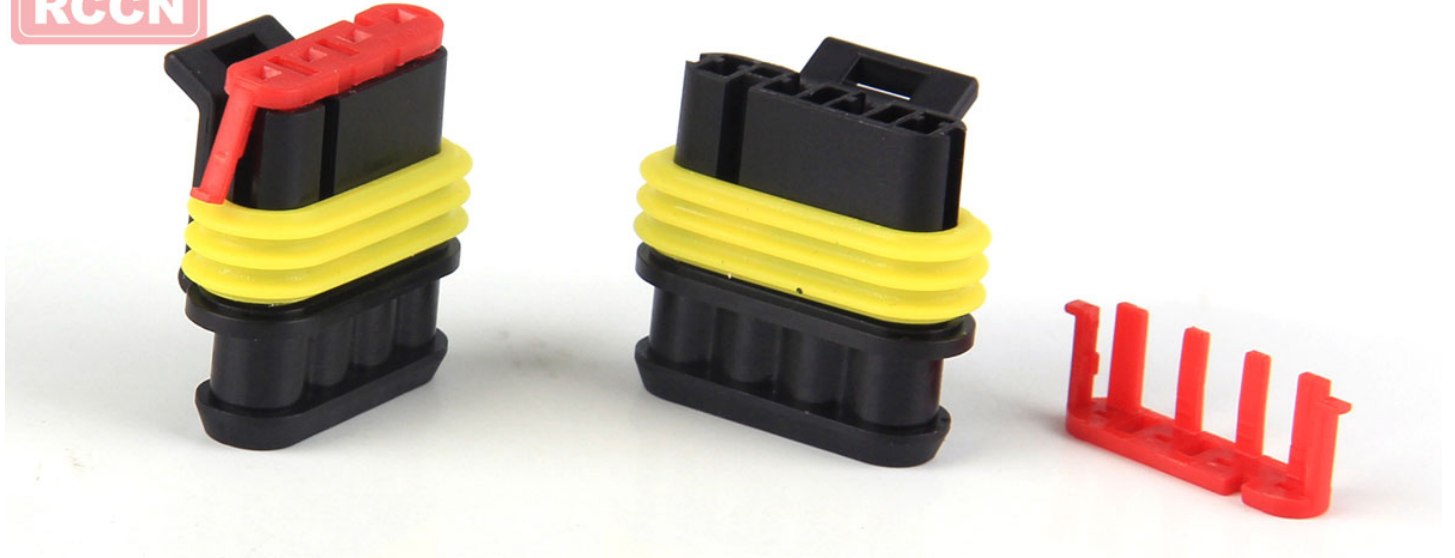
Connector    harness connector    female terminal housing

## Specification



## Product Show

**RCCN**<sup>®</sup>



**RCCN**<sup>®</sup>

