



Female terminal housing 282080-1

Female terminal housing 282080-1

Connector type: female terminal housing

Connector system: line to board, line to line, line to device

Main locking feature: on the terminal

Strain elimination: No

Electrical characteristics: Nominal voltage architecture (V) -12, 24, operating voltage (VDC) -24

Main features: black, cable outlet angle of 180 °, the main material PA GF

Contact Features: Docking male end width 1.5 mm

Temperature range: -40 - 125 ° C

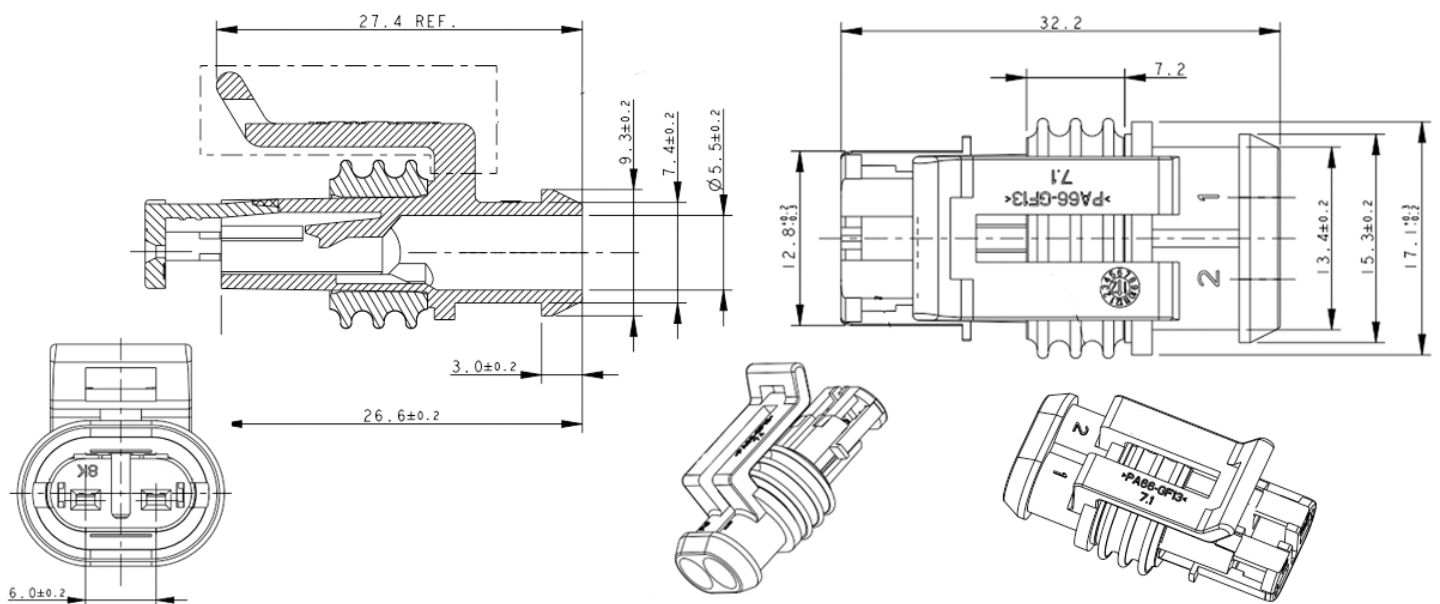
Protection class: IP67

Uses: for cars, trucks, buses and off-highway vehicles in the shell

Packing: 800pcs

Connector harness connector female terminal housing

Specification



Product Show

