



D20906B vehicle low-voltage wiring harness

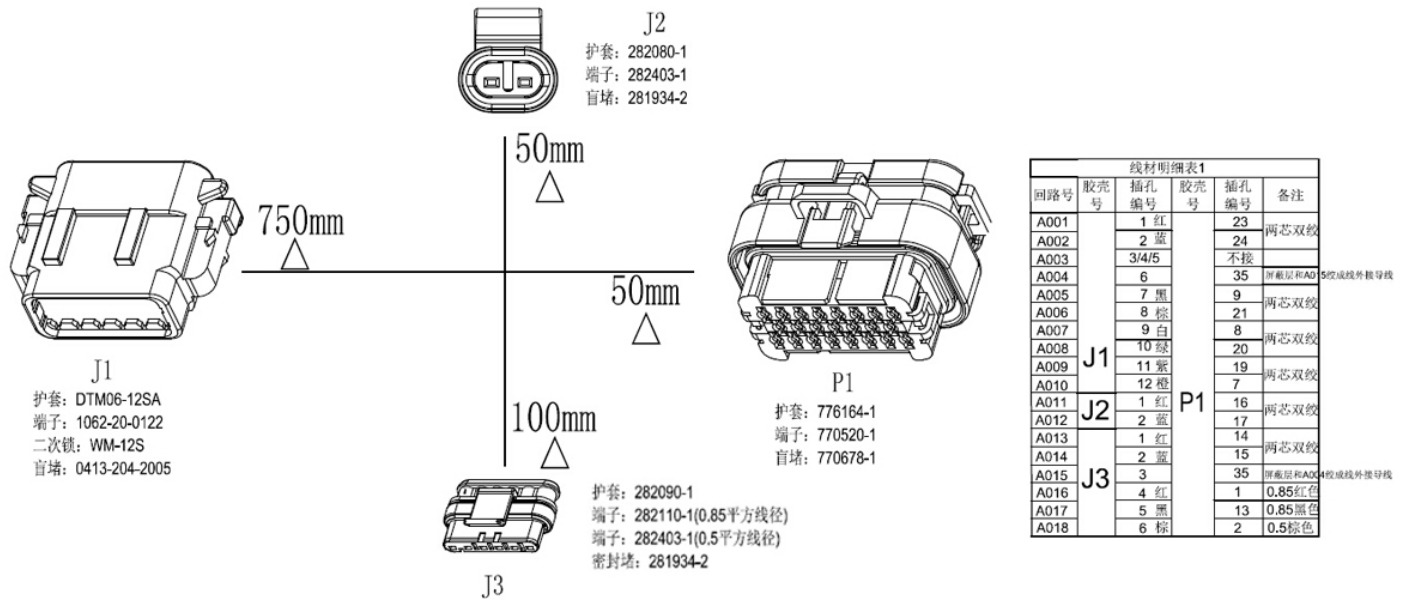
Vehicle low-voltage wiring harness, new energy automotive wiring harness processing

1. All the circuits connected to the motor end of the motor are connected with a solid twisted pair shield, and the three pairs of differential signals are used to satisfy the set of twisted pairs respectively.
 2. The vehicle side and the motor controller connected to the circuit, the vehicle CAN and debugging CAN use a solid twisted pair shielded wire
 3. Wire harness used in all the wire, can reach 80 °C long-term normal work
- According to map processing to meet your various needs of customization



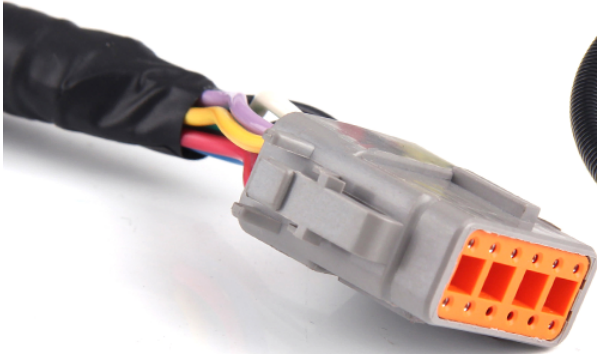
Harness processing automotive wiring harness wiring harness

Specification



Product Show

RCCN[®]



RCCN[®]

