



D20612B vehicle low-voltage wiring harness

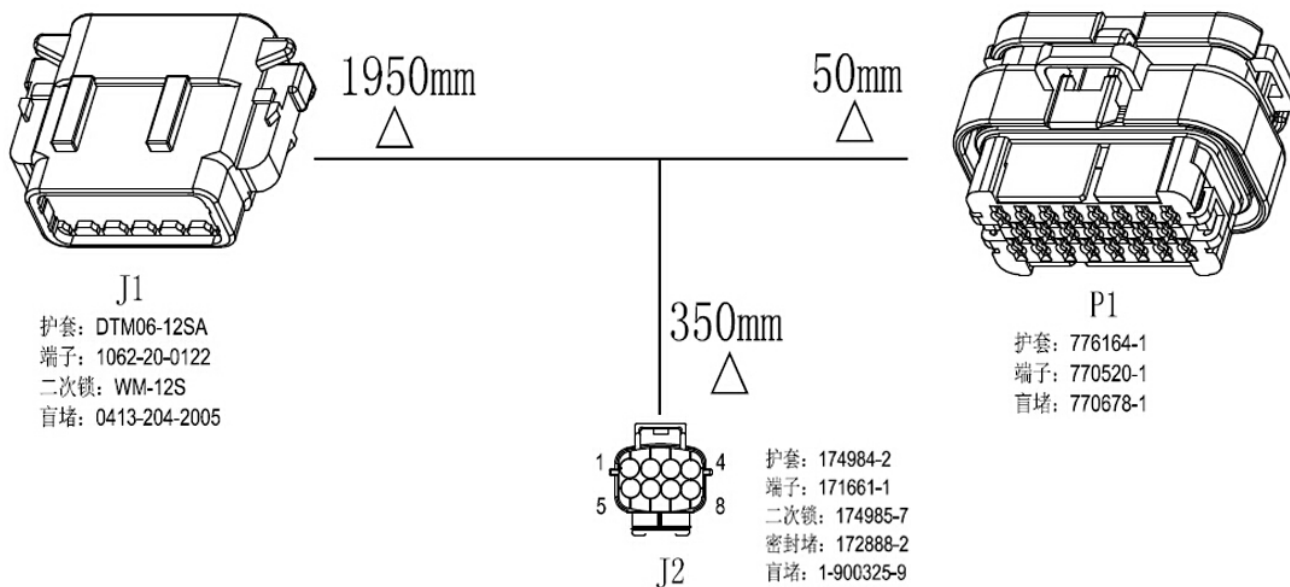
Vehicle low-voltage wiring harness, new energy automotive wiring harness processing

1. Automotive chip connector technology in line with QC / T 417.1-417.5;
 2. The basic dimensions of the wire comply with the relevant regulations of QC / T 29106;
 3. The remaining performance in line with QC / T 29106 automotive low-voltage wire harness technical conditions;
 4. Terminals crimp firmly without error, short circuit, open circuit, conduction rate of 100%; terminal crimping, wire connector in line with QCn29009, 29QCn010;
 5. The wires used are in accordance with JASOD611;
 6. Thermoplastic insulation tape, temperature, acid, oil and other properties
 7. Bellows with flame retardant, wear-resistant, ultra-light; -40 °C -120 °C deformation.
- According to map processing to meet your various needs of customization



Harness processing automotive wiring harness wiring harness

Specification



Product Show

