



# D20507H vehicle low voltage wiring harness

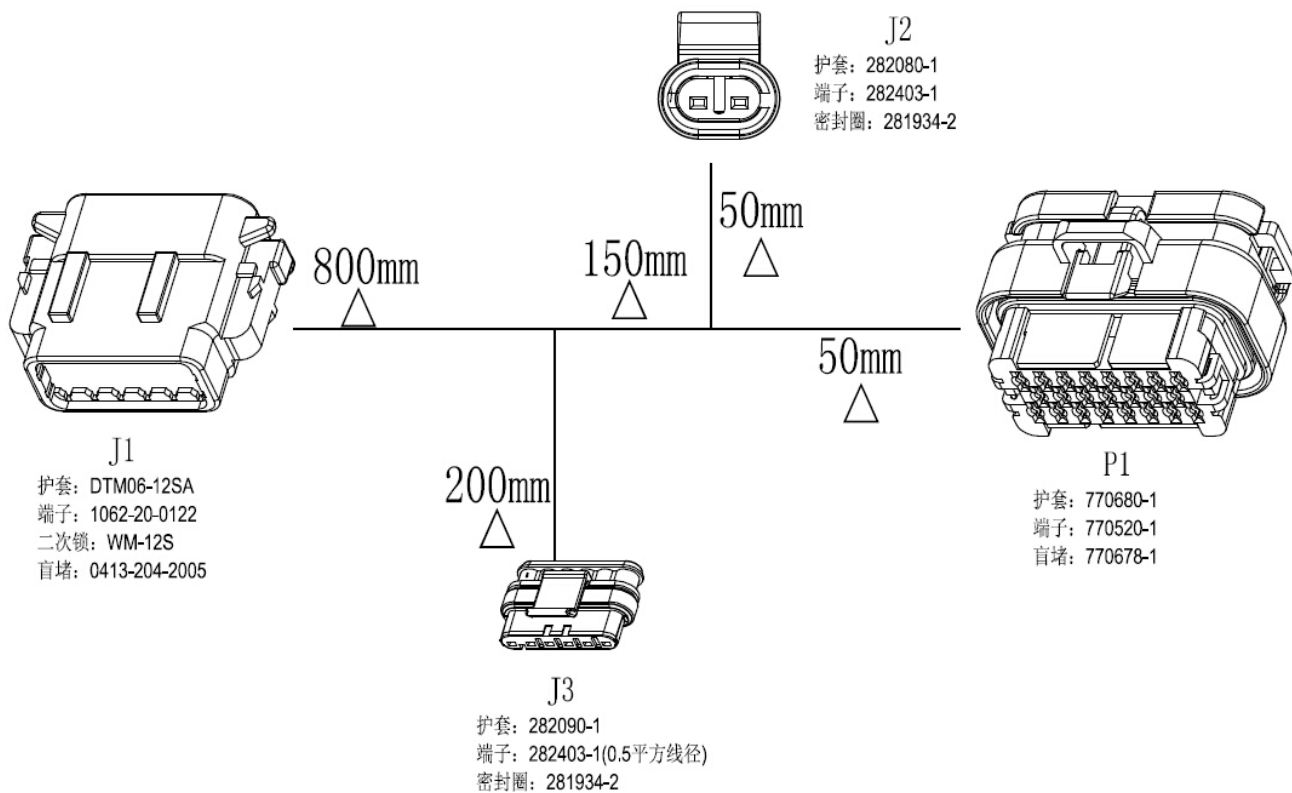
## D20507H vehicle low voltage wiring harness

1. Terminal crimping, wire connector in line with QCn29009, QCn29010
2. Automotive chip connector technology in line with QC / T 417-417.5
3. The basic dimensions of the wire conform to the relevant regulations of QC / T29016
4. The remaining performance in line with QC / T 29016 automotive low-voltage wire harness technical conditions
5. Bellows of the closure of the phenomenon of no exposed, the use of wear-resistant ultra-light flame-retardant bellows
6. All waterproof plug no shedding, missing phenomenon
7. All wires comply with the relevant requirements of JASOD611



Low - voltage wire harness    vehicle wiring harness    harness processing

### Specification

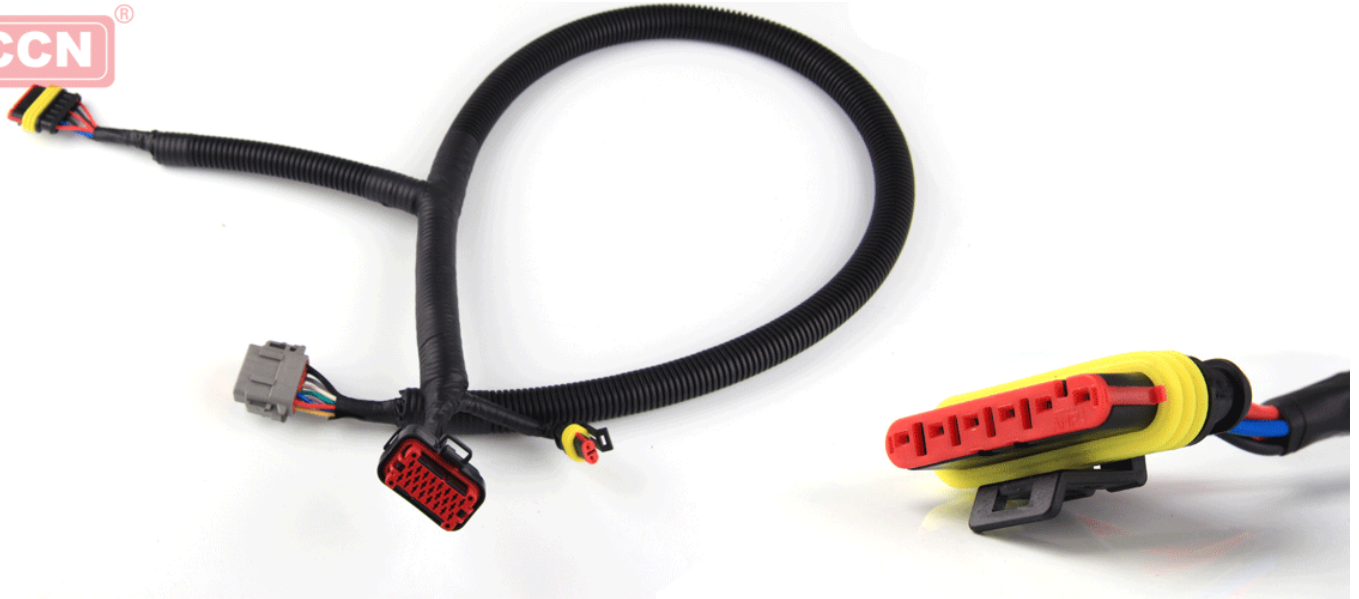


### Product Show

**RCCN**<sup>®</sup>



**RCCN**<sup>®</sup>



**RCCN**<sup>®</sup>

