



D07 motor controller transition line

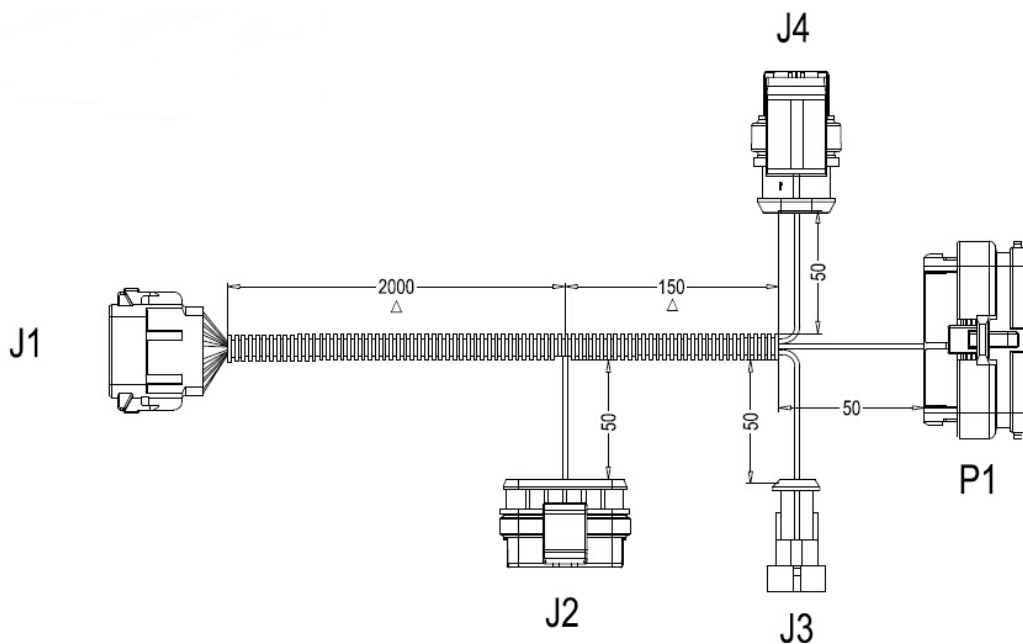
Low pressure transition line, new energy automotive wiring harness processing



1. The basic size deviation of the wire conforms to the relevant regulations of QC / T 29106;
2. Car special chip connector technical conditions in line with QC / T 417.1-417.5;
3. Terminal crimp firmly without error, open circuit, short circuit, conduction rate of 100%; terminal crimping, cable connector in line with QCn29009, QCn29010;
3. The remaining performance in line with QC / T 29106 automotive low-voltage wire harness technical conditions;
4. All conductors comply with JASOD611 regulations;
5. Tape temperature, acid, oil and other properties in line with ST / T 9167.12;
6. Flame-proof bellows, lightweight wear-resistant, -40 °C -120 °C deformation.

Harness processing automotive wiring harness wiring harness

Specification



回路号	胶壳号	插孔编号	股壳号	插孔编号	备注
A001	J1	1 灰	P1	1	两芯双绞
A002		2 灰		13	
A003		3			盲堵
A004		4			
A005		5			
A006		6		28	屏蔽层绞成线
A007		7 绿		3	
A008		8 黄		15	两芯双绞
A009		9 蓝		16	
A010		10 白		4	两芯双绞
A011		11 黑		5	两芯双绞
A012		12 红		17	
A013	J2	1 蓝	P1	20	两芯双绞
A014		2 红		9	
A015		3		33	屏蔽层绞成线
A016		4		11	1,25红色
A017		5		12	1,25黑色
A018		6		22	1,25橙色
A019	J3	1 蓝	P1	21	两芯双绞
A020		2 红		10	
A021		3		32	屏蔽层绞成线
A022	J4	1	P1	26	1,25红色
A023		2		18	1,25黑色

Product Show

RCCN[®]



RCCN[®]

