



PCB board guide bracket

PCB board guide bracket

Product Material: made of low halogen rigid PVC material, environmental pollution, no lead and other toxic substances.

Product Certification: US UL: E306674 European CE European environmental protection RoHS, REACH, railway flame retardant low smoke.

Fire rating: UL94V-0, low smoke micro-halogen, the case of fire does not burn, fire and insulation is particularly good.

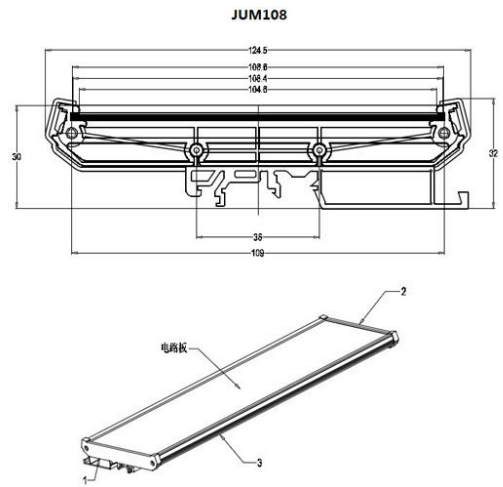
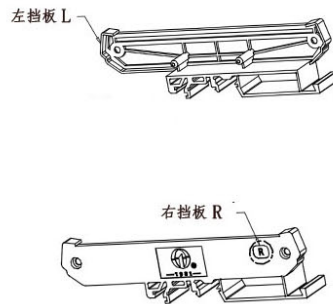
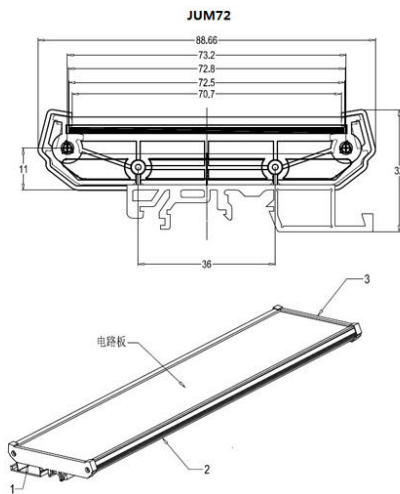
Color: green

Operating temperature: static -40 ° C continuous high temperature to 65 ° C, a short time up to 85 ° C.



Trunking PVC trunking PCB board bracket bracket bracket JUM108 extruded strip circuit board mounting slot

Specification



Product Show

