



## Richeng vehicle grounding double - arm type copper braid belt

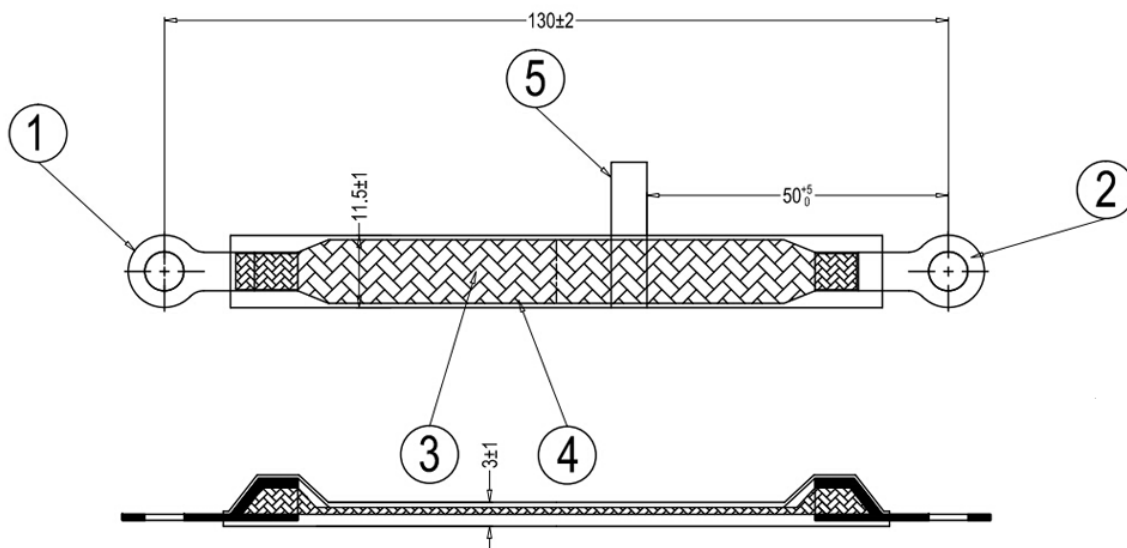
### vehicle grounding double - arm type copper braid belt

1. Material: T2 copper, tinned copper braided wire, copper tape with flexible.
2. Both ends of the OT terminal crimping, beautiful without damage, the use of double-arm heat shrinkable tube protection, smooth, smooth, beautiful, uniform direction without distortion.
3. High conductivity, anti-fatigue ability, the appearance of flat; suitable for strong, good softness, easy installation, easy to heat, bending resistance, copper weaving is made of oxygen-free copper wire.
4. Uses: Nissan grounding double-arm type copper braid is widely used in transformer devices, high and low voltage switch, vacuum electrical appliances, closed mother slot, generators and bus, rectifier equipment, cars, electric locomotives, industrial furnaces, , Mine explosion-proof electrical appliances, carbon brush wire and the soft convergence between the convergence.
5. Ordering Information: Please provide section and width, length and aperture



Grounding double-arm type copper braided belt woven belt grounding copper braid belt

## Specification



## Product Show

