



Male terminal housing 282104-1

Male terminal housing 282104-1



Connector Type: male terminal housing

Connector system: line to board, line to line, line to device

Main locking features: Enclosure integration

Strain elimination: No

Line spacing (mm): 10.7, 2.54, 8.31

Electrical characteristics: Nominal voltage architecture (V) -12,24, operating voltage (VDC) -24

Main features: black, cable outlet angle of 180°, the main material PA GF

Contact Features: Docking male end width 1.5 mm

Temperature range: -40 - 125 °C

Protection class: IP67

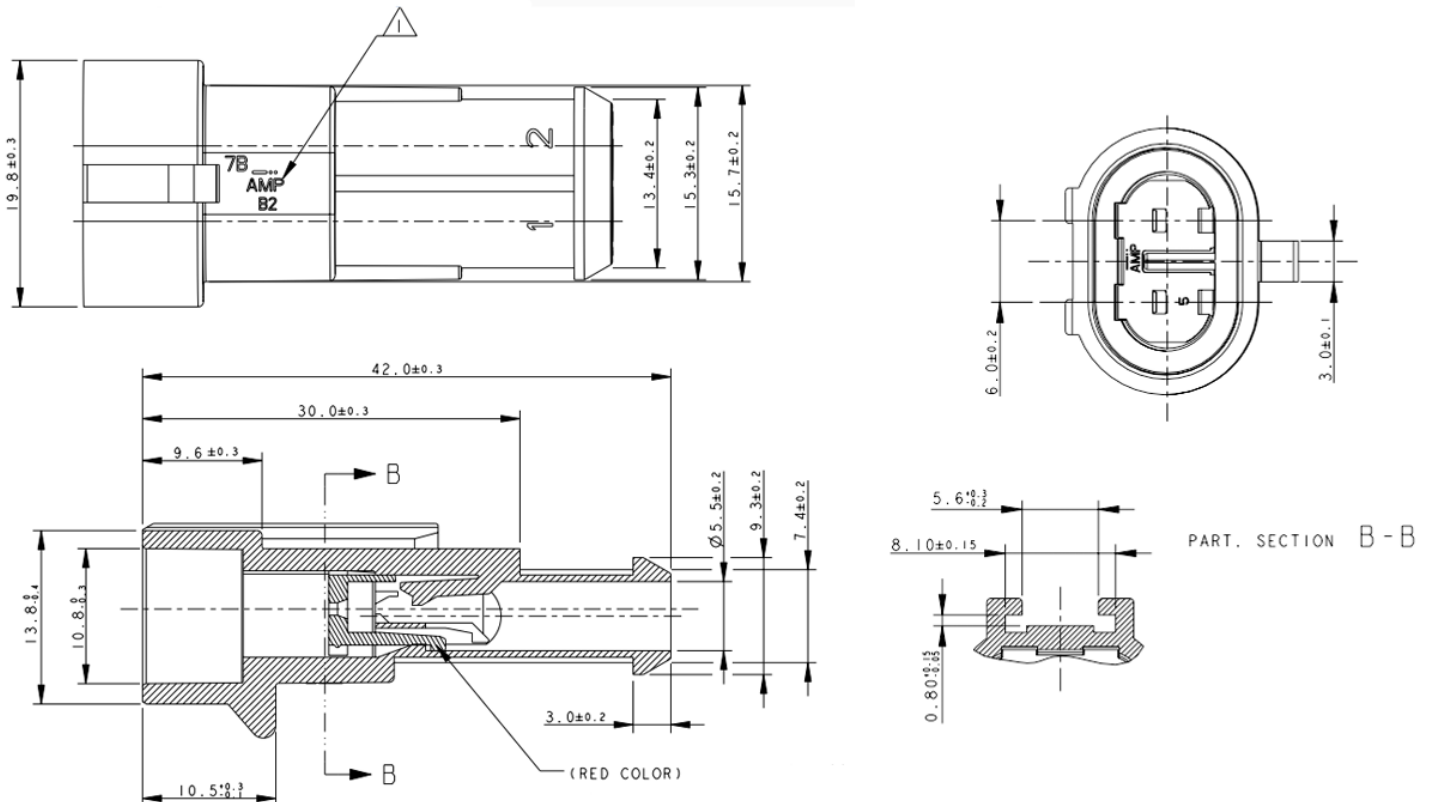
Uses: for cars, trucks, buses and off-highway vehicles in the shell

Packing: 1500pcs / box



Connector harness connector male terminal housing

Specification



Product Show

